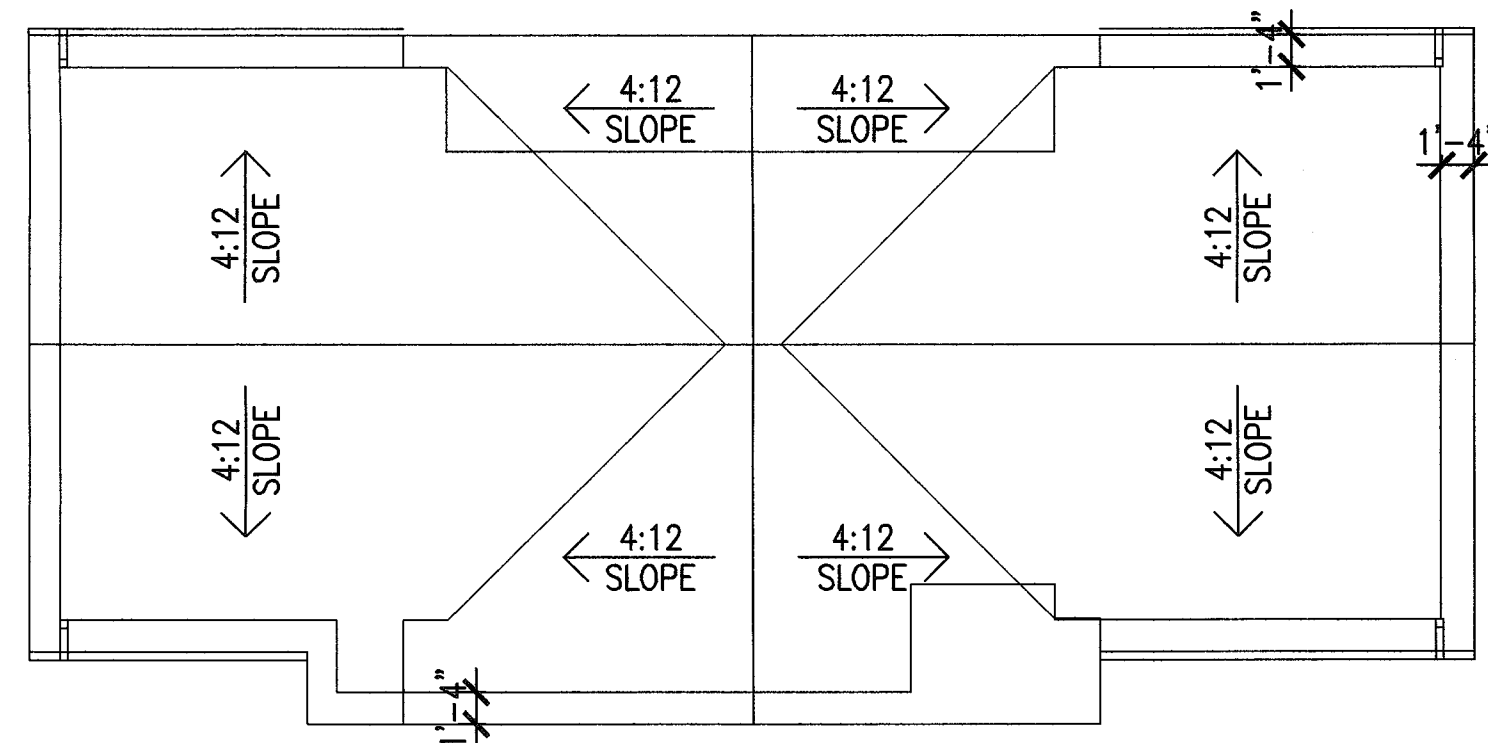
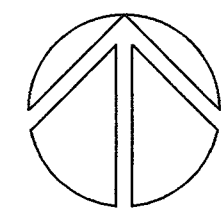


FLOOR PLAN (ADU)

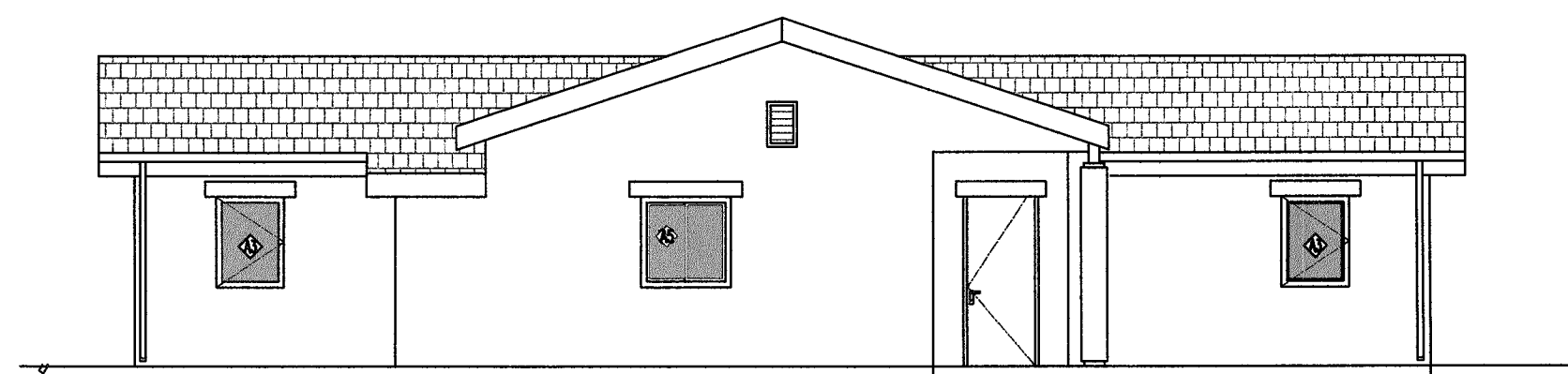
SCALE: 1/8"=1'-0"



ROOF PLAN (ADU)

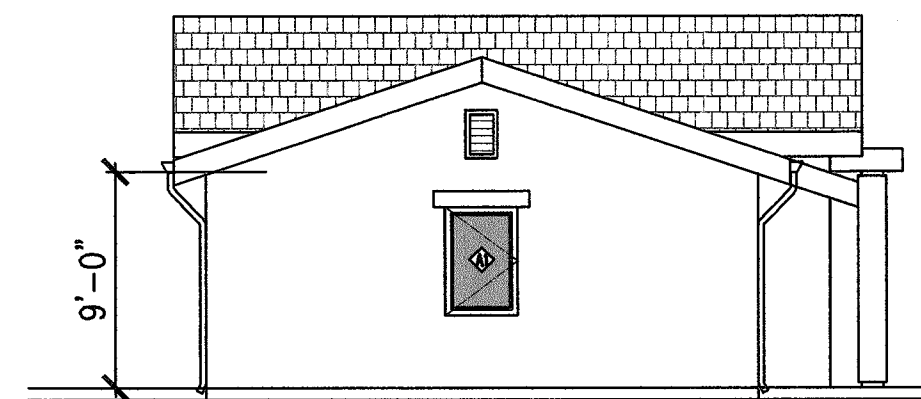
SCALE: 1/8"=1'-0"

SOLAR ZONE EXCEPTION 6 BEING USED BY PROVIDING SMART THERMOSTAT AND RAINWATER CATCHMENT SYSTEM (RAIN BARRELS AS SHOWN ON A2.0). ADDITIONALLY ENERGY STAR COMPLIANT DISHWASHER AND REFRIGRATOR ARE TO BE INSTALLED.



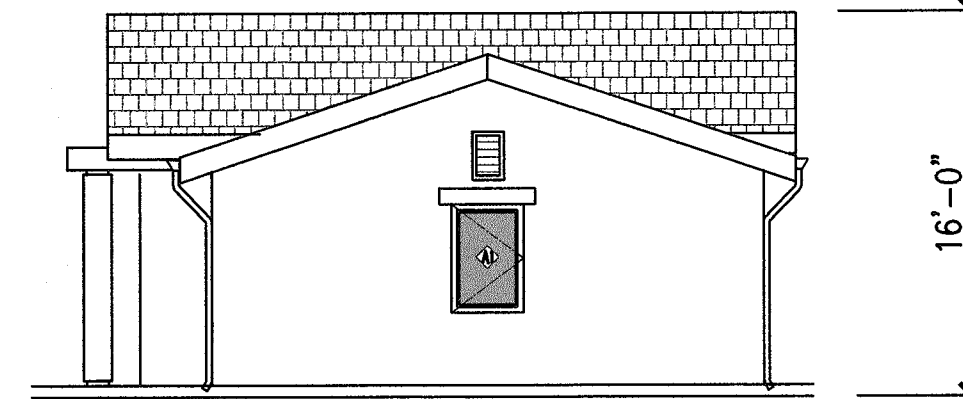
SOUTH ELEVATION

SCALE: 1/8"=1'-0"



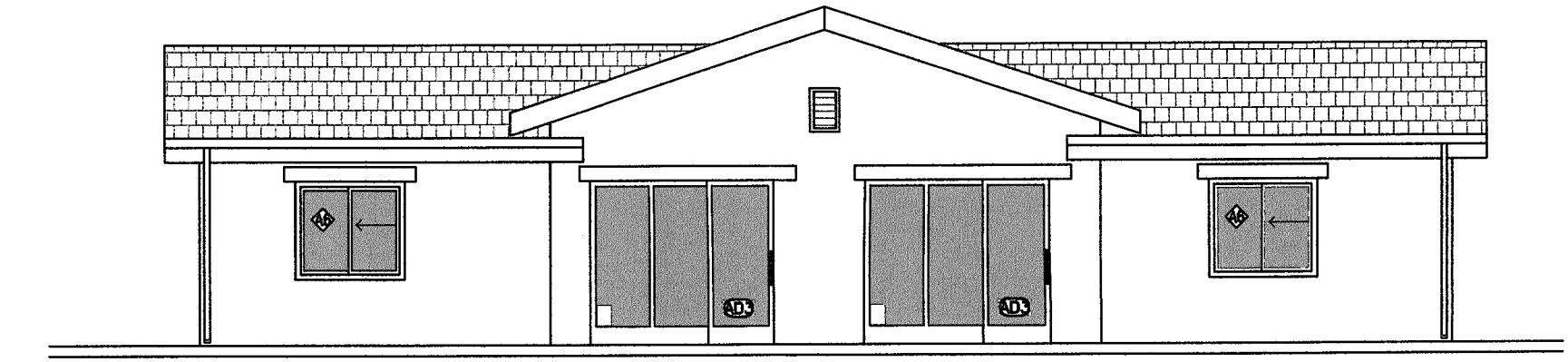
WEST ELEVATION

SCALE: 1/8"=1'-0"



EAST ELEVATION

SCALE: 1/8"=1'-0"

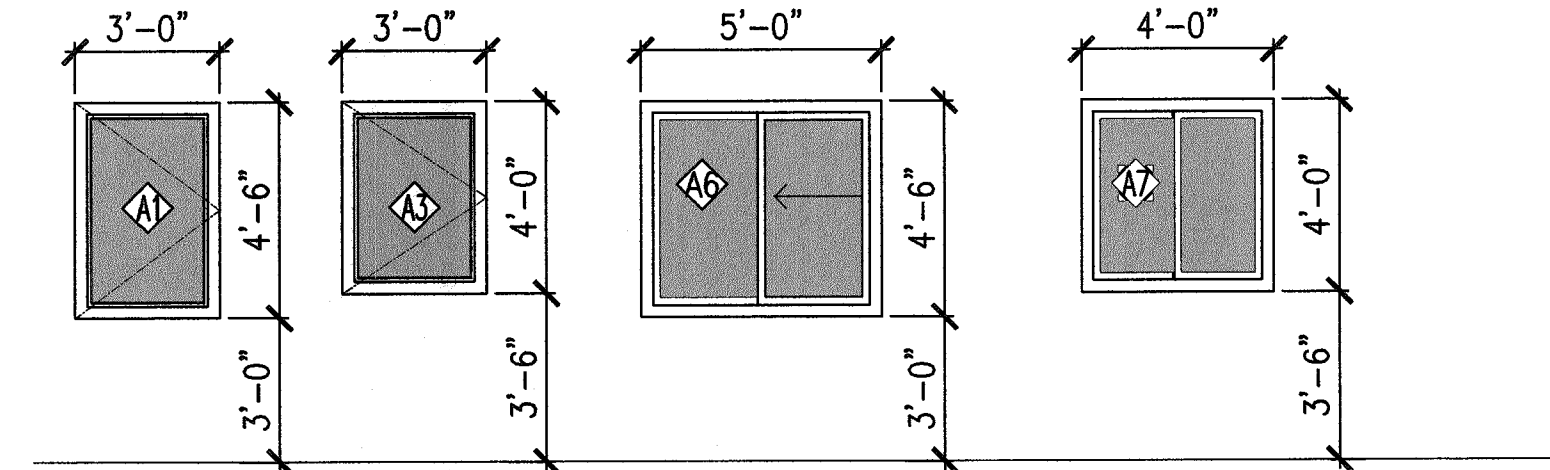


NORTH ELEVATION

SCALE: 1/8"=1'-0"

WINDOW SCHEDULE									
TYPES	OPENING SIZE		MATERIALS & FINISH					NOTES	
	WIDTH	HEIGHT	SILL	GLAZ'G	TEMPER'D	FRAME	FINISH		SCREEN
◇									
A1	3'	4'-6"	3'	G1	Y	V		Y	
A3	3'	4'	3'-6"	G1	Y	V		Y	PROVIDE TEMPERED GLASS AT BATHROOM
A6	5'	4'-6"	3'	G1		V		Y	
A7	4'	4'-0"	3'-6"	G1		V		Y	

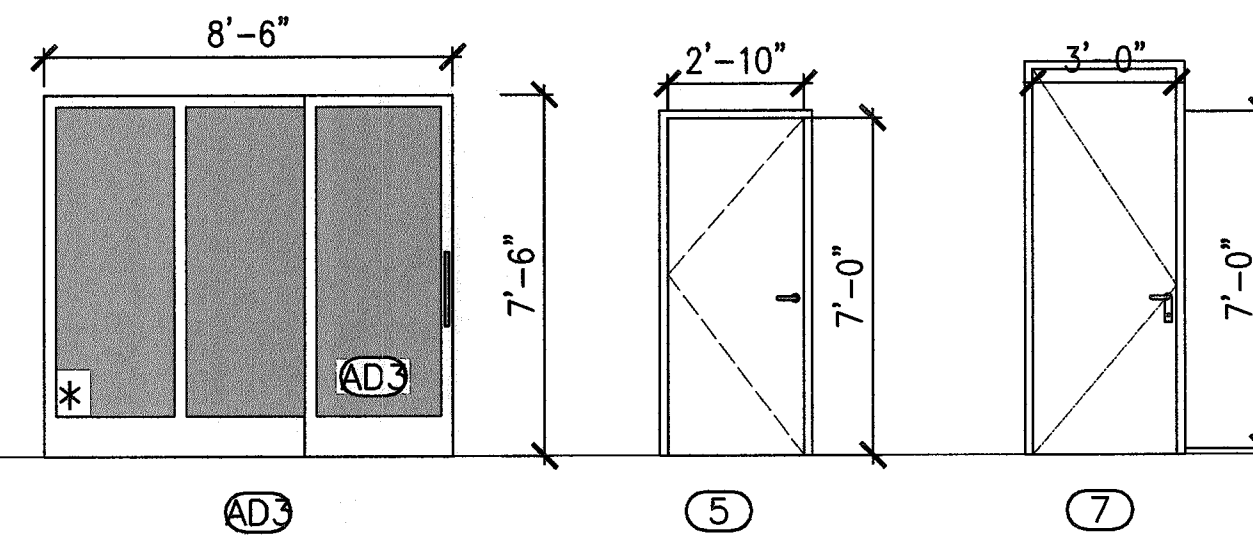
MATERIALS:
 G - CLEAR GLAZED
 VISION GLASS AL - ALUMINUM PAINTED
 G1 - DUAL W - WOOD FINISH BAKED ENAMEL
 BE - BLENDED
 W - WOOD ENAMEL PAINTED
 FINISH VINYL
 BE - BLENDED



NOTE: SEE SHEET A4.1 FOR DOOR & WINDOW DETAILS

TYPES	OPENING SIZE		MATERIAL		FINISH			NOTES
	WIDTH	HEIGHT	THICK'S	CORE	FACE	FRAME	DOOR	
①								
3	8'-6"	7'-6"	1 3/4"		W/G	2	P S	SLIDING
5	2'-10"	7'-0"	1 3/4"	1	W	2	P S	
7	3'	7'-0"	1 3/4"	1	W	2	P S	

NOTE: ALL GLASS DOORS SHALL BE TEMPERED



MATERIALS:
 1. SOLID CORE WOOD DOOR
 2. WOOD
 3. ALUMINUM
 P PAINTED FINISH
 G GLASS
 BE BAKED ENAMEL
 M MIRROR
 S STAINED
 F.F. FACTORY FINISH

NOTES:
 * THIS SYMBOL DESIGNATES TEMPERED GLASS.
 THE SOLAR HEAT GAIN COEFFICIENT (SHGC) SHALL EQUAL 0.12
 THE U-FACTOR SHALL EQUAL 0.33

NOTES:

* THIS SYMBOL DESIGNATES SAFETY GLAZING (TEMPERED GLASS). SAFETY GLAZING (I.E. TEMPERED GLASS) SHALL BE PROVIDED IN THE FOLLOWING LOCATIONS: (R308.4)
 A. GLAZING IN DOORS.
 B. GLAZING IN ENCLOSURES FOR BATHTUB OR SHOWER.
 C. GLAZING IN WINDOWS MEASURED LESS THAN 60" FROM SHOWER OR BATHTUB.
 D. GLAZING IN AN INDIVIDUAL FIXED OR OPERABLE PANEL ADJACENT TO A DOOR WHERE THE NEAREST VERTICAL EDGE IS WITHIN A 24" ARC OF EITHER VERTICAL EDGE OF THE DOOR IN A CLOSED POSITION.
 E. GLAZING WITH THE BOTTOM EDGE OF THE GLAZING IS LESS THAN 18" ABOVE THE FLOOR.

ALL EXTERIOR GLASS DOORS & WINDOWS SOLAR HEAT GAIN COEFFICIENT (SHGC) SHALL EQUAL 0.25
 ALL EXTERIOR GLASS DOOR & WINDOWS U-FACTOR SHALL EQUAL 0.33

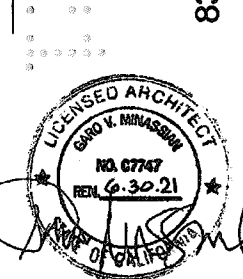
EVERY INTERIOR DOOR IN A DOORWAY THROUGH WHICH OCCUPANTS PASS SHALL HAVE A MIN. WIDTH OF 32"

- Ⓢ HARDWIRED SMOKE DETECTOR W/BATTERY BACKUP
 - Ⓢ HARDWIRED COMBO SMOKE DETECTOR & CARBON MONOXIDE ALARM W/BATTERY BACKUP
 - Ⓢ BATHROOM FAN W/50 CFM INTERMITTENT VENTILATION EXHAUSTED DIRECTLY TO THE OUTSIDE
- NOTE: FANS SHALL BE ENERGY STAR COMPLIANT & BE DUCTED TO TERMINATE TO THE OUTSIDE OF THE BUILDING. FANS, NOT FUNCTIONING AS A COMPONENT OF A WHOLE HOUSE VENTILATION SYSTEM, MUST BE CONTROLLED BY A HUMIDITY CONTROL.
- Ⓢ OCCUPANT CONTROLLED SMART THERMOSTAT SEE A4.0 FOR SPEC SHEET.

REVISIONS
△ 6/24/20
△ 11/10/20
△ 11/17/20
△ 04/06/21
△
△
△
△
△
△

OWNER: **GMX INVESTMENT COMPANY**
 15335 MORRISON STREET #305, SHERMAN OAKS, CA

PROJECT: **NEW SFR, JADU & ADU**
 8305, 8307, 8309 N. SHIRLEY AVE., NORTHridge, CA 91324



GARO V. MINASSIAN, ARCHITECT, INC.
 140 ACARI DRIVE, LOS ANGELES, CALIFORNIA 90049 (310) 472-8683

SHEET NO. **A5.1**
 DATE: 02-21-2020

8309 N. SHIRLEY AVE.

ADU

